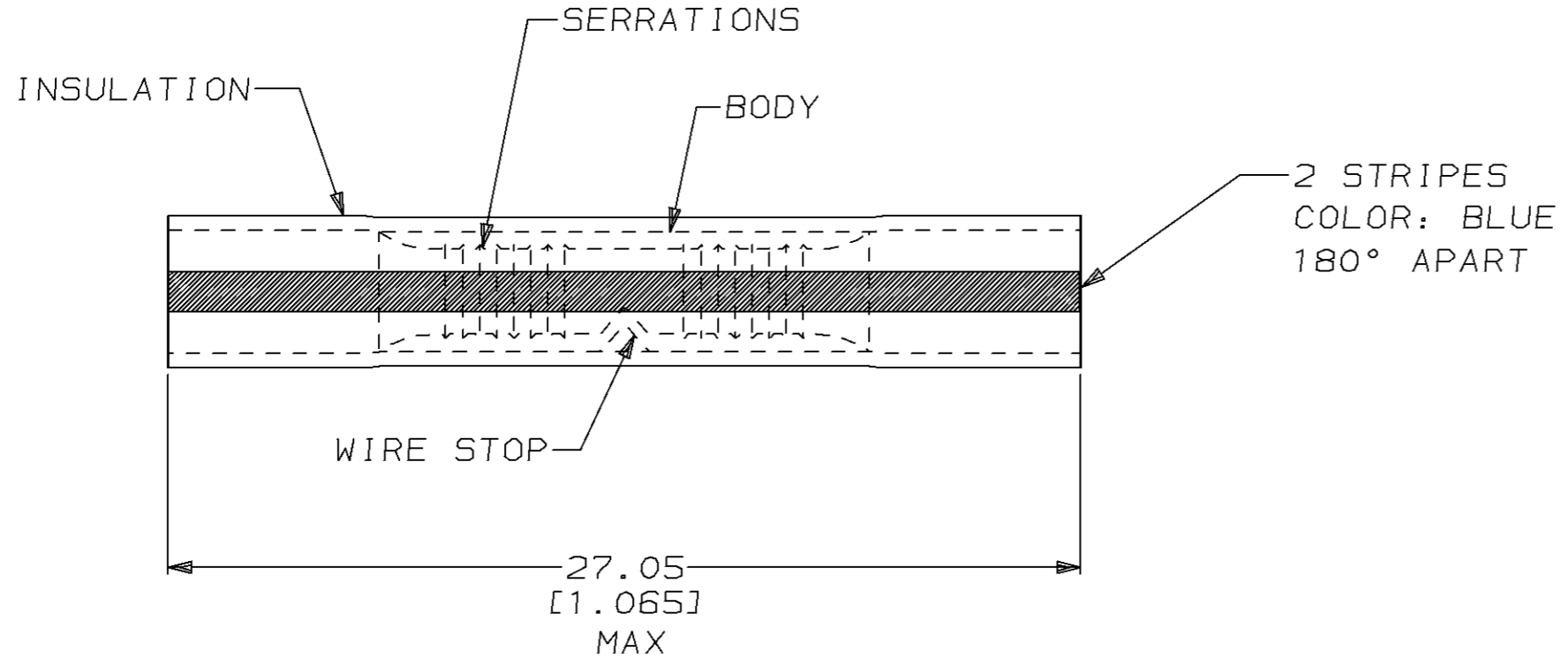


THIS DRAWING IS UNPUBLISHED. RELEASED FOR PUBLICATION, 19 .
 © COPYRIGHT 19 BY AMP INCORPORATED. ALL INTERNATIONAL RIGHTS RESERVED.

| LOC | DIST | P | F | REVISIONS | | | | DATE | APPD |
|-----|------|---|---|-----------|-----|--------------------|---------|-------|------|
| G | 14 | | | ZONE | LTR | DESCRIPTION | | | |
| | | | | | C | REV / 0720-0612-95 | 31MAY95 | ME SB | |

| PART NO | PACKAGE TYPE | QTY |
|-----------|------------------|-----|
| 8-55785-1 | LOOSE PIECE, BOX | 100 |
| 8-55785-4 | LOOSE PIECE, BLS | 5 |
| 8-55785-5 | LOOSE PIECE, BAG | 25 |
| 9-55785-4 | LOOSE PIECE, BLS | 25 |

1. WIRE INSUL DIA, 2.92-4.32 [.115-.170]



| | | | |
|--|---------------|---|--|
| 2500 | ON TAPE, REEL | BODY: COPPER PER ASTM B-152 TIN PL 0.00254 [.000100] MIN THK PER MIL-T-10727 | 55785-2 |
| 1000 | LOOSE PIECE | INSULATION: VINYL COLOR: TRANSPARENT | 55785-1 |
| QTY | PACKAGE TYPE | MATERIAL & FINISH | PART NO |
| DO NOT SCALE PRINT. UNLESS SPECIFIED DIMENSIONS IN mm [INCHES] TOLERANCES ON: 2 PLC DEC ± - 3 PLC DEC ± - ANGLES ± - | | DR 4/12/90 DK SCHRUM CHK 4/16/90 MS FEHER APPD 4/17/90 PJ RUELIUS APPD 4/17/90 TL SHUTTER PRODUCT SPEC UL 486A | AMP AMP Incorporated Harrisburg, PA 17105-3608 NAME SPLICE, BUTT, PLASTI-GRIP™ WIRE SIZE, 16-14 AWG |
| MATERIAL SEE TABLE | | APPLICATION SPEC - | |
| FINISH SEE TABLE | | WEIGHT - | |

THIS DRAWING IS A CONTROLLED DOCUMENT FOR AMP INCORPORATED. IT IS SUBJECT TO CHANGE AND THE CONTROLLING ENGINEERING ORGANIZATION SHOULD BE CONTACTED FOR THE LATEST REVISION.